



59 __-PLGHDF__

Write purchase model number here for future reference

212187

212187

212187

212187

212187

212187

212187

212187

NOTES:

For optimum performance of this product, the recommended system pressure is between 20 and 80 PSI static. This product will operate up to a maximum of 125 PSI static per ANSI and CSA requirements. However, it is not recommended the pressure go above 80 PSI. Thermal expansion or leaking pressure reducing valves may require the use of expansion tanks or relief valves to ensure your system never exceeds its maximum intended pressure setting.

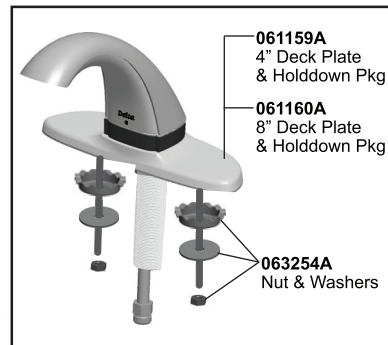
Control Box #0

Designed for routine 180°F (82°C) disinfection cycles up to 10 minutes.

- Use 3-conductor 18AWG wire between transformer and hardwire converter / driver board earth ground.
- Use Delta Commercial approved transformers and mount the transformer a minimum of 6" (152 mm) away from the Delta driver board enclosure.
- Refer to **Proximity Application Notes** on SpecSelect for installation best practices, proper grounding and wiring diagrams.

INSTALLATION AND SET-UP INSTRUCTIONS

Model Number	Description	Page #
59x-PLGHDF	Battery Operated Surface Mount Box #0	2
59x-PLGHDFHW	Hard Wire Operated Surface Mount Box #0	4



061203A
Vandal Resistant Laminar Outlet with Wrench
0.5 GPM (1.9 L/min)

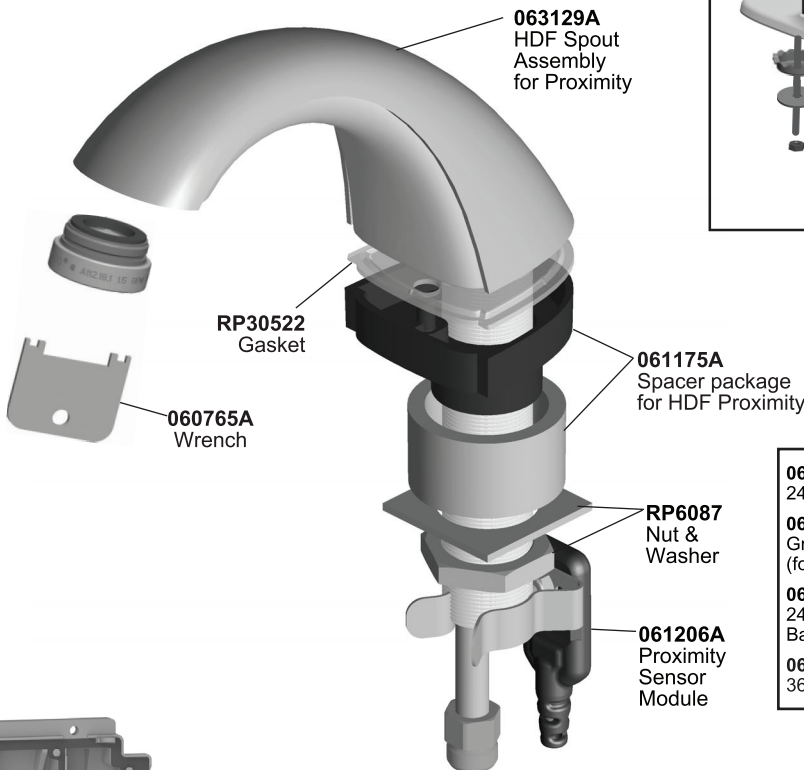
060638A - Optional
Vandal Resistant Laminar Outlet with Antimicrobial by Agion®
1.5 GPM (5.7 L/min)

060640A - Optional
Vandal Resistant Flow Control Aerator and Wrench
1.5 GPM (5.7 L/min)

060642A - Optional
Flow Control Aerator
1.5 GPM (5.7 L/min)

RP31704 - Optional
Vandal Resistant Spray Outlet with Wrench
0.5 GPM (1.9 L/min)

060566A - Optional
Vandal Resistant Spray Outlet with Wrench
1.0 GPM (3.8 L/min)

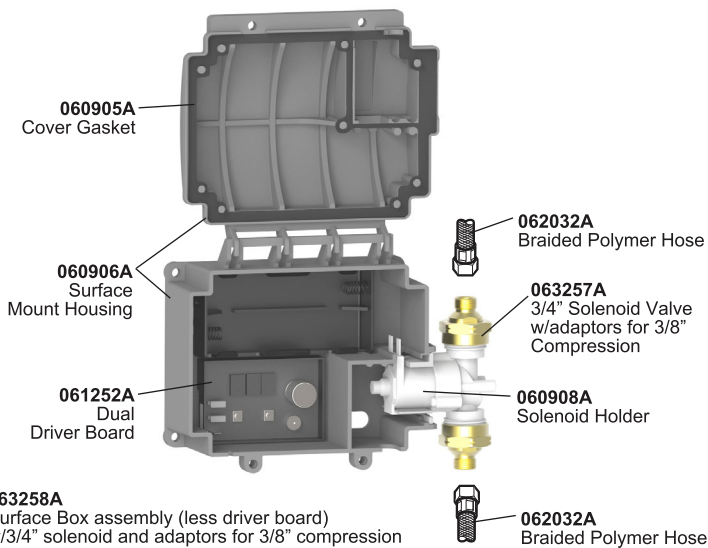


060683A
24VAC to 6VDC Converter

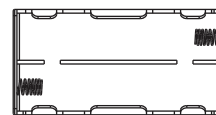
061259A
Ground Wire Kit (for hardwire models)

061047A
24VAC to 6VDC Converter with Battery Backup

061256A
36" Sensor Module Extension Cable



OPTION LIST



060681A
Battery Holder

TRANSFORMERS

060704A
Transformer 110 to 24 VAC 20VA up to 5 Electronic Valves

060771A
Transformer 110 to 24 VAC 40VA up to 10 Electronic Valves

DECK PLATES

061159A
4" Deck Plate & Hold-Down Pkg

061160A
8" Deck Plate & Hold-Down Pkg

PLEASE LEAVE this M&I Sheet with the owner, maintenance plumber, etc. as items relating to ongoing maintenance suggestions and procedures are included.